

RJ45 PROFESSIONAL MALE 0° 4 POL. SHIELDED

Ethernet

Ethernet CAT5

Male straight

RJ45, 4-pole

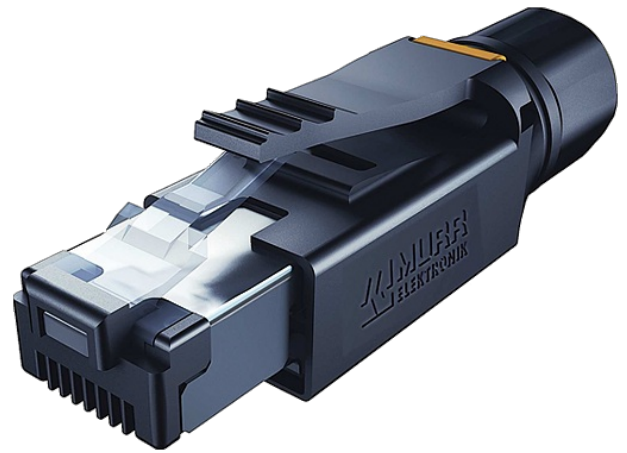
shielded

Protection IP20

Quick connection technology

Plastic housings with good resistance against chemicals and oils.

The resistance to aggressive media should be individually tested for your application. Further details on request.

[Link to Product](#)**Illustration**

Product may differ from Image

Approvals**More Info****Form**

Form 74001

General data

Temperature range -40...+70 °C

Technical Data

Operating voltage max. 60 V DC

Operating current per contact max. 1.76 A

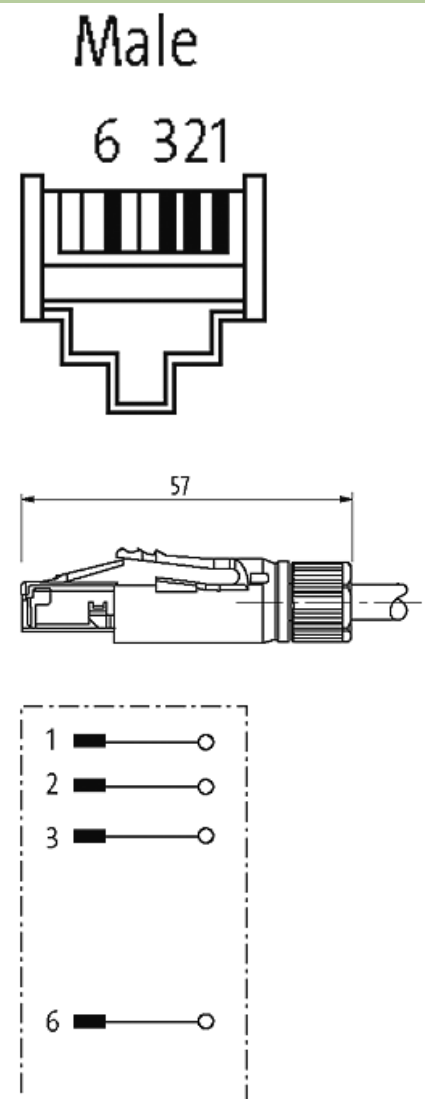
Transfer parameters CAT5, Class D (ISO/IEC 11801:2002), (EN 50173-1)

Transfer rate up to 100 Mbit/s full duplex

Connection cross section	0.14...0.34 mm ² (AWG 26...22)
Sealing range (cable Ø)	4.5...9.0 mm
Outer wire Ø	max. 1.6 mm
Protection	IP20

Commercial data

country of origin	RO
customs tariff number	85366990
EAN	4048879409346
eClass	27279221
Packaging unit	1

Sketch

Product may differ from Image